

# DI Water Spray Gun

## Product Overview

The PFA DI Water Spray Gun is suitable for use in high purity semiconductor applications. The design utilizes a molded high purity PFA body with precision machined sealing areas. A one piece machined modified PTFE diaphragm/poppet provides excellent flexibility and long life. Wetted surfaces are PFA and modified PTFE thus eliminating the need for elastomer seals. The SG-1 is available with either 1/4" FNPT or 3/8" Parflare connections. Optional coiled hoses, with or without recirculation feature are also available.



## Features

One piece precision machined diaphragm/poppet manufactured from the latest technology modified PTFE. Provides over five times the flexural life as compared to conventional PTFE. Wiper seat for positive through flow shut off and diaphragm to body seal.

Reversible/removable hanger.

Optional recirculation kit.

## Benefits

High cycle life.

Lower replacement costs.

Less downtime.

Allows hanging in either direction.

Provides low dead volume, purity maintaining circulation.

## Specifications

### Materials of Construction:

Wetted Surfaces - PFA, Modified PTFE

External Surfaces - PFA, PVDF, and PET handle retention screw.

Other Materials - Stainless steel spring

### Pressure Ranges:

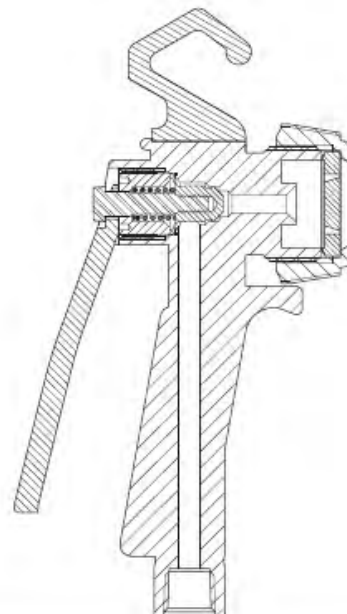
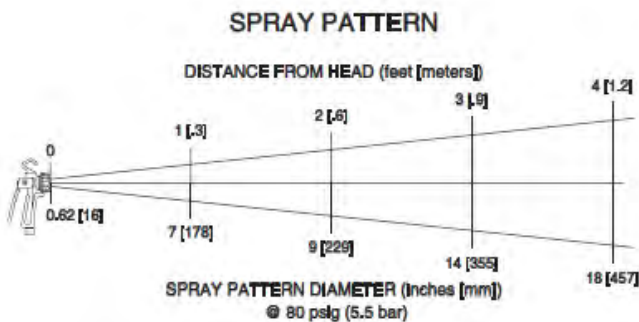
0 to 80 PSIG (5.5 bar)

Pressure range above is for operation at ambient temperature. For use at higher temperatures consult Pressure/Temperature chart on page 3.

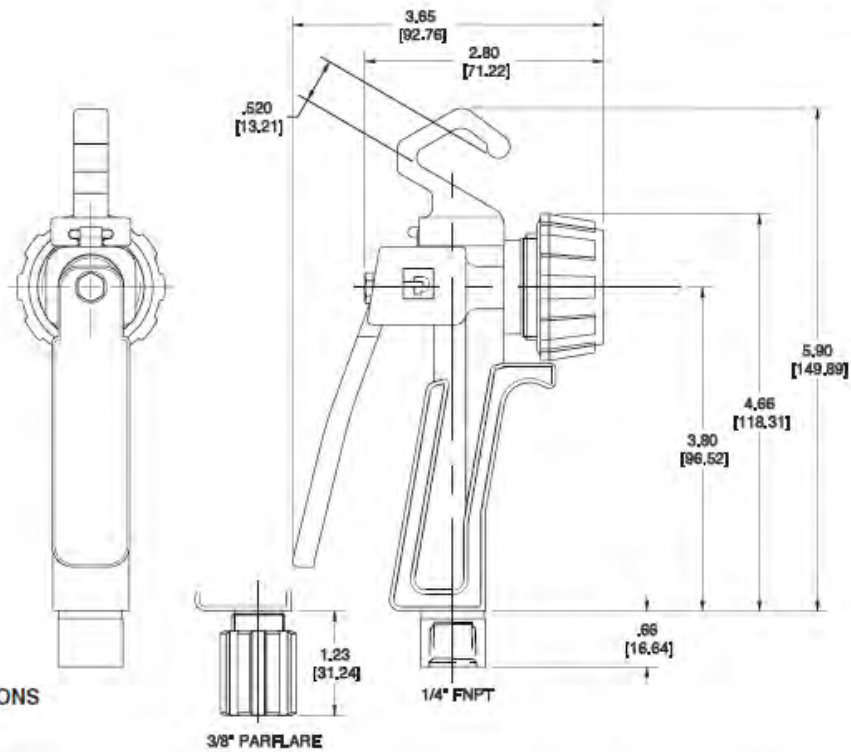
### Temperature Ranges:

0° - 150° F (-17° - 66° C) Ambient

0° - 200° F (-17° - 93° C) Fluid



# DI Water Spray Gun



BRACKETED DIMENSIONS  
ARE IN mm.

End Connection	Description
1/4" FNPT	Spray Gun only
3/8" Parflare	Spray Gun only
3/8" Parflare	Spray Gun with complete 1002-0158 Recirculation Assembly
N/A	Recirculating Tee Connector only
*	Complete Recirculation Kit with FMBTR-2G64 and 8' FEP Coil
*	8' FEP Coil only

## INLET PRESSURE VS. FLOW

