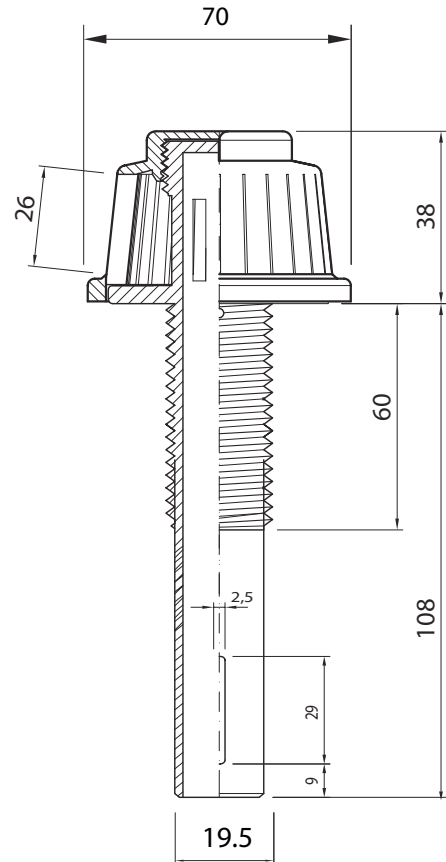




# APL series

## Filter Nozzles



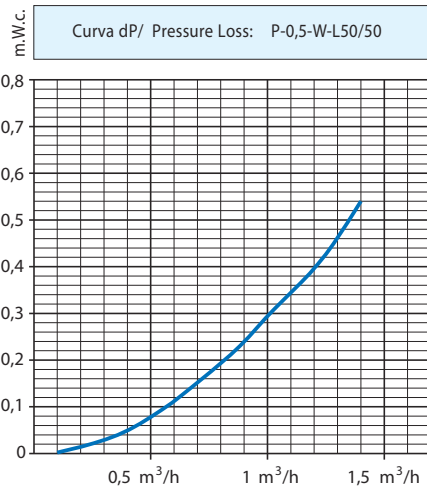
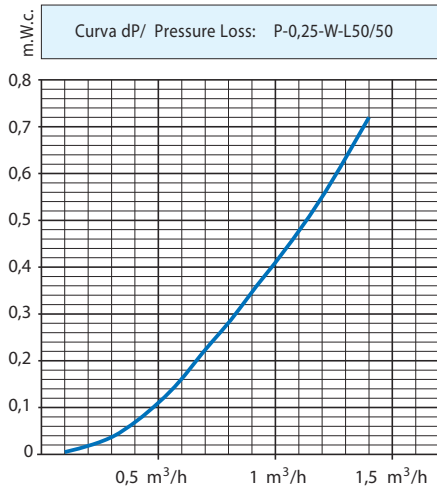
FILTER NOZZLES WITH VERTICAL SLOTS  
 Model : APL - Yellow

- Good for sand and anthracite filters
- Easily cleaned by backwash
- Complete set of thread and stem
- Inexpensive

Type	Slot width mm	Slots No.	Area mm <sup>2</sup>
APL (Yellow)	0,2	40	165

Thread size : 3/4 inch BSP or NPT

Material: Polypropylene



Dimension changes depending on connection size.